



AC Cloud Control

INWFIDAI001R0XX

Wi-Fi interface for Daikin SKY & VRV series

1. Dimensions

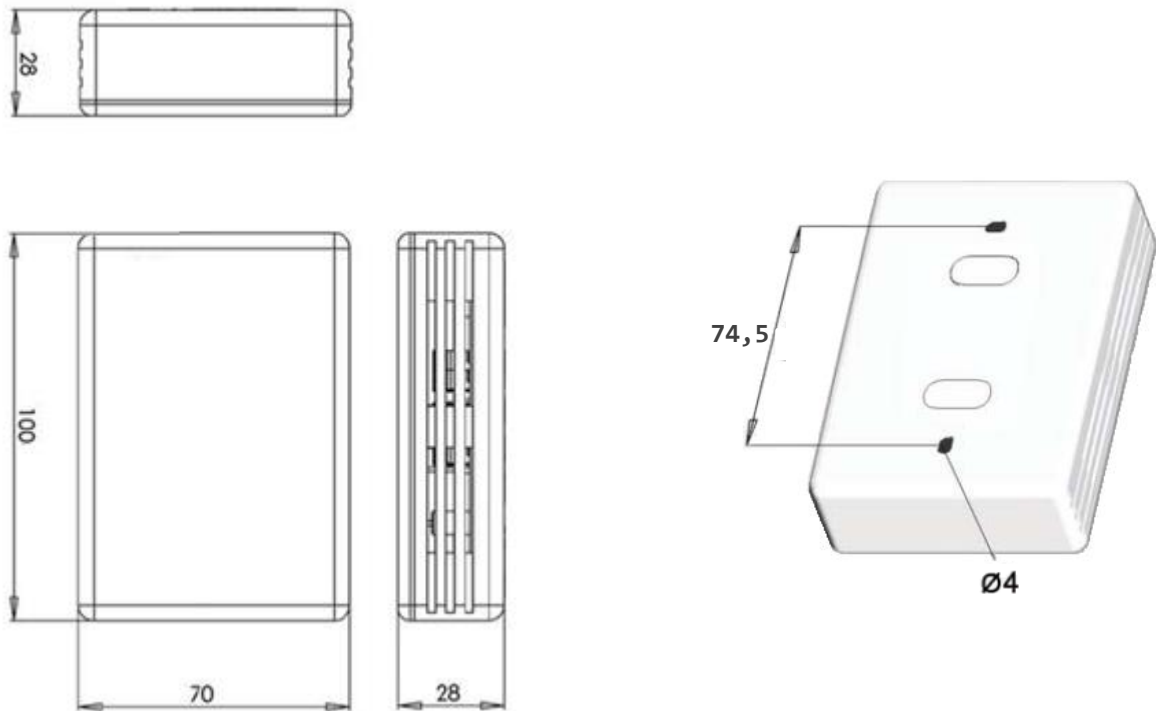


Figure 1.1 AC Cloud Control device dimensions in mm and back view with fixing holes

2. Technical Features

Enclosure	ABS (UL 94 V-0). 2,5 mm thickness
Dimensions	70 x 100 x 28 mm
Weight	100 g
Dimensions (including packaging)	133 x 135 x 35 mm
Weight (including packaging)	168 g
Colour	White
AC Connector	14V, 110mA typical
Power Supply	12DCV, 100mA
Radio Parameters	RF Frequency range: 2412 to 2484 MHz Output power (typical): 14/20 dBm
WIFI	802.11 b/g/n (802.11n up to 150 Mbps)
Mounting	Wall
LED indicators	1 x Device status
Operating Temperature	From 0°C to 40°C
Operating humidity	<93% HR, no condensation
Stock humidity	<93% HR, no condensation
RoHS conformity	Compliant with RoHS2 directive (2011/65/CE).
Certifications	CE conformity to EMC directive (2014/53/EU). <ul style="list-style-type: none"> • EN 62368-1:2014 • CSA/UL 62368-1:2014 • AS/NZS 62368.1:2018 • EN 300 328 V2.1.1 • EN 303 446-1 V1.2.0 • Regulations: FCC/IC Standards: Title 47 CFR Part 15B ICES-003 (Issue 6)

Table 2.1 Technical features