



AC Cloud Control

INWFILGE001R0XX

Wi-Fi interface for LG AC and AWHP units

1. Dimensions

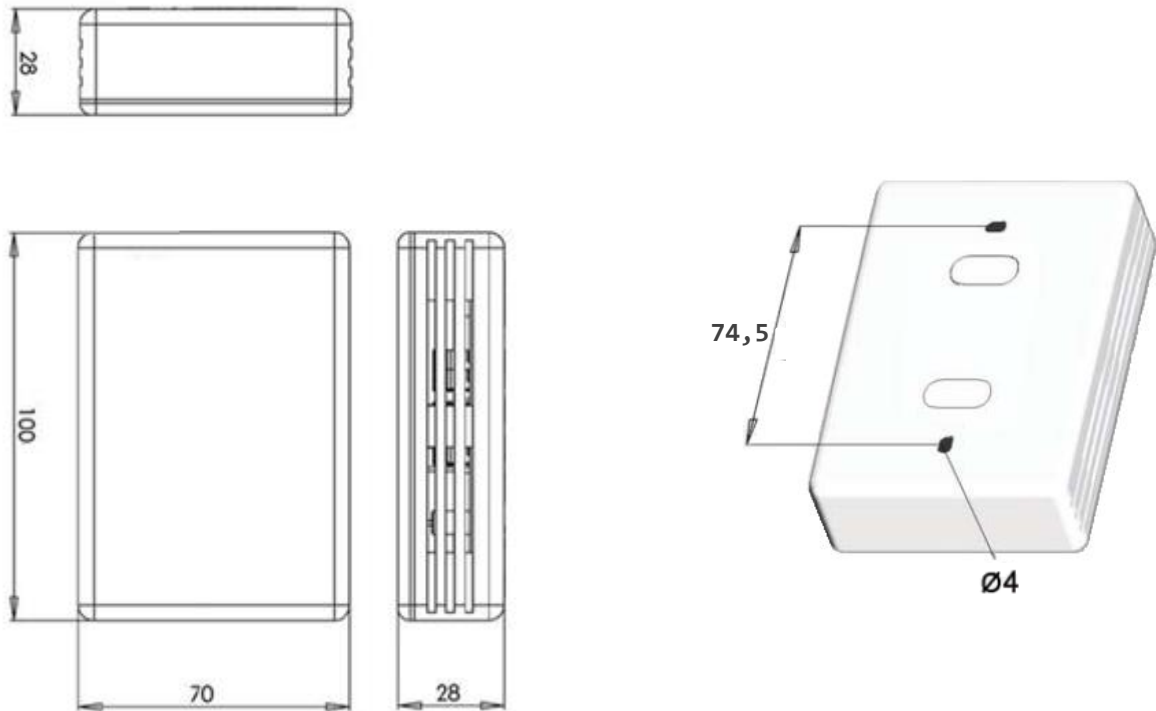


Figure 1.1 AC Cloud Control device dimensions in mm and back view with fixing holes

2. Technical Features

Enclosure	ABS (UL 94 V-0). 2,5 mm thickness
Dimensions	70 x 100 x 28 mm
Weight	98 g
Dimensions (including packaging)	133 x 135 x 35 mm
Weight (including packaging)	166 g
Colour	White
AC Connector	12V, 85mA typical
Radio Parameters	RF Frequency range: 2412 to 2484 MHz Output power (typical): 14/20 dBm
WIFI	802.11 b/g/n (802.11n up to 150 Mbps)
Mounting	Wall
LED indicators	1 x Device status
Operating Temperature	From 0°C to 40°C
Operating humidity	<93% HR, no condensation
Stock humidity	<93% HR, no condensation
RoHS conformity	Compliant with RoHS2 directive (2011/65/CE).
Certifications	CE conformity to EMC directive (2014/53/EU). <ul style="list-style-type: none"> • EN 62368-1:2014 • CSA/UL 62368-1:2014 • AS/NZS 62368.1:2018 • EN 300 328 V2.1.1 • EN 303 446-1 V1.2.0 • Regulations: FCC/IC Standards: Title 47 CFR Part 15B ICES-003 (Issue 6)

Table 2.1 Technical features