

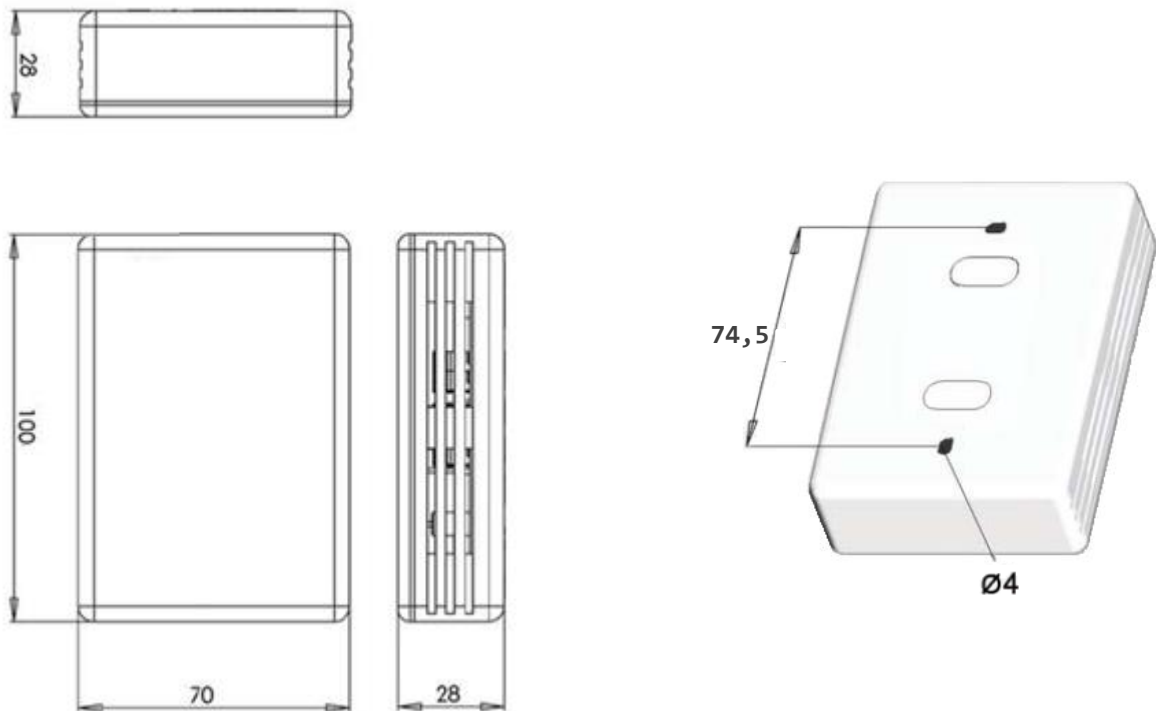


# AC Cloud Control

## INWFITOS001R0XX

Wi-Fi interface for Toshiba  
Digital Inverter and VRF air conditioners series

### 1. Dimensions



**Figure 1.1** AC Cloud Control device dimensions in mm and back view with fixing holes

## 2. Technical Features

<b>Enclosure</b>	ABS (UL 94 V-0). 2,5 mm thickness
<b>Dimensions</b>	70 x 100 x 28 mm
<b>Weight</b>	103 g
<b>Dimensions (including packaging)</b>	133 x 135 x 35 mm
<b>Weight (including packaging)</b>	170 g
<b>Colour</b>	White
<b>AC Connector</b>	14V, 54mA typical
<b>Power Supply</b>	12DCV, 100mA
<b>Radio Parameters</b>	RF Frequency range: 2412 to 2484 MHz Output power (typical): 14/20 dBm
<b>WIFI</b>	802.11 b/g/n (802.11n up to 150 Mbps)
<b>Mounting</b>	Wall
<b>LED indicators</b>	1 x Device status
<b>Operating Temperature</b>	From 0°C to 40°C
<b>Operating humidity</b>	<93% HR, no condensation
<b>Stock humidity</b>	<93% HR, no condensation
<b>RoHS conformity</b>	Compliant with RoHS2 directive (2011/65/CE).
<b>Certifications</b>	CE conformity to EMC directive (2014/53/EU). <ul style="list-style-type: none"> <li>• EN 62368-1:2014</li> <li>• CSA/UL 62368-1:2014</li> <li>• AS/NZS 62368.1:2018</li> <li>• EN 300 328 V2.1.1</li> <li>• EN 303 446-1 V1.2.0</li> <li>• Regulations: FCC/IC</li> </ul> Standards: Title 47 CFR Part 15B ICES-003 (Issue 6)

**Table 2.1** Technical features