

Modbus RTU

Fujitsu Air Conditioning

Compatible with Domestic and VRF line air conditioners commercialized by Fujitsu

USER MANUAL

Issue date: 05/2021 r1.3 ENGLISH



Important User Information

Disclaimer

The information in this document is for informational purposes only. Please inform HMS Industrial Networks of any inaccuracies or omissions found in this document. HMS Industrial Networks disclaims any responsibility or liability for any errors that may appear in this document.

HMS Industrial Networks reserves the right to modify its products in line with its policy of continuous product development. The information in this document shall therefore not be construed as a commitment on the part of HMS Industrial Networks and is subject to change without notice. HMS Industrial Networks makes no commitment to update or keep current the information in this document.

The data, examples and illustrations found in this document are included for illustrative purposes and are only intended to help improve understanding of the functionality and handling of the product. In view of the wide range of possible applications of the product, and because of the many variables and requirements associated with any particular implementation, HMS Industrial Networks cannot assume responsibility or liability for actual use based on the data, examples or illustrations included in this document nor for any damages incurred during installation of the product. Those responsible for the use of the product must acquire sufficient knowledge in order to ensure that the product is used correctly in their specific application and that the application meets all performance and safety requirements including any applicable laws, regulations, codes and standards. Further, HMS Industrial Networks will under no circumstances assume liability or responsibility for any problems that may arise as a result from the use of undocumented features or functional side effects found outside the documented scope of the product. The effects caused by any direct or indirect use of such aspects of the product are undefined and may include e.g. compatibility issues and stability issues.

Gateway for the integration of a Fujitsu air conditioning unit in ModBus RTU enabled monitoring and control systems.

Compatible with Domestic and VRF line air conditioners commercialized by Fujitsu.

ORDER CODE	LEGACY ORDER CODE
INMBSFGL001I000	FJ-AC-MBS-1

INDEX

1	Presentation	5
2	Connection	6
2.1	Connect to the AC indoor unit	6
2.2	Connection to the EIA-485 bus	6
3	Quick Start Guide	7
4	Modbus Interface Specification	8
4.1	Modbus physical layer	8
4.2	Modbus Registers	8
4.2.1	Control and status registers	8
4.2.2	Configuration Registers	10
4.2.3	Considerations on Temperature Registers	10
4.3	DIP-switch Configuration Interface	12
4.4	Implemented Functions	14
4.5	Device LED indicator	14
4.6	EIA-485 bus. Termination resistors and Fail-Safe Biasing mechanism	15
5	Mechanical & electrical characteristics	16
6	AC Unit Types compatibility	17
7	Error codes	18
7.1	Intesis Codes	18
7.2	RAC and VRF J-II / V-II / VR-II series	18
7.3	VRF V / S / J Series	21

1 Presentation



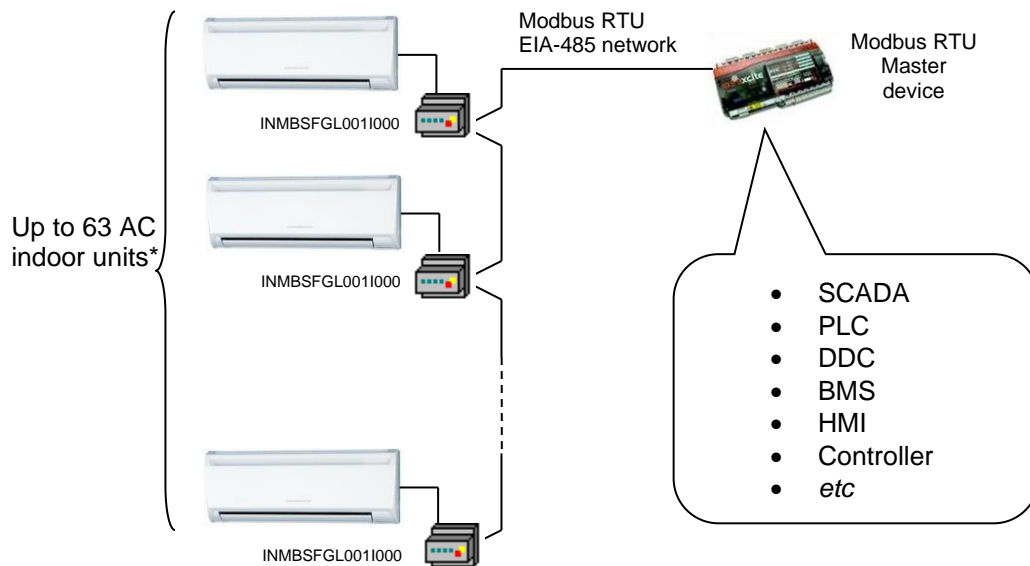
The INMBSFGL001I000 interfaces allow a complete and natural integration of **Fujitsu** air conditioners into Modbus RTU (EIA-485) networks.

Reduced dimensions. 93 x 53 x 58 mm
3.7" x 2.1" x 2.3"

Quick and easy installation.

Mountable on DIN rail, wall, or even inside the indoor unit of AC.

- External power not required.
- Direct connection to Modbus RTU (EIA-485) networks. Up to 63 INMBSFGL001I000 devices can be connected in the same network.
INMBSFGL001I000 is a Modbus slave device.
- Direct connection to the AC indoor unit.
- Configuration from both on-board DIP-switches and Modbus RTU.
- Total Control and Supervision.
- Real states of the AC unit's internal variables.
- Allows simultaneous use of the AC's remote controls and Modbus RTU.



* Up to 63 Intesis devices can be installed in the same Modbus RTU bus. However, depending on the configured speed, the installation of Modbus Repeaters may be required

2 Connection

The interface comes with cable + connectors for direct connection to the AC indoor unit, and with a plug-in terminal block of 3 poles for connection to a Modbus RTU EIA-485 network.

2.1 Connect to the AC indoor unit

The INMBSFGL001I000 connects directly to the indoor unit internal control board. In the control board locate the socket connector marked as **CN65**.

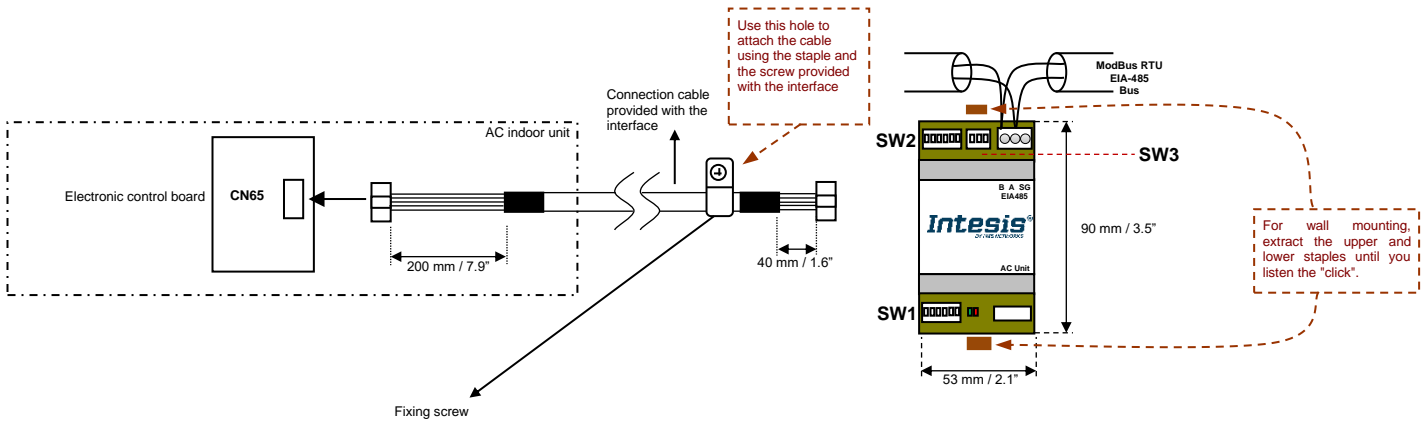


Figure 2.1 INMBSFGL001I000 connection diagram

2.2 Connection to the EIA-485 bus

Connect the EIA-485 bus wires to the plug-in terminal block of INMBSFGL001I000 and keep the polarity on this connection (A+ and B-). Make sure that the maximum distance to the bus is 1,200 meters (3,937 ft). Loop or star typologies are not allowed in the case of the EIA-485 bus. A terminator resistor of 120Ω must be present at each end of the bus to avoid signal reflections. The bus needs a fail-safe biasing mechanism.

3 Quick Start Guide

1. Disconnect the air conditioning from Mains Power.
2. Attach the interface next to the AC indoor unit (wall mounting) following the instructions of the diagram below or install it inside the AC indoor unit (respect the safety instructions given).
3. Connect to **CN65** between the interface and the AC indoor unit following the instructions of the diagram.
4. Connect the EIA-485 bus to the connector *EIA485* of the interface.
5. Close the AC indoor unit.
6. Check the DIP-Switch configuration of the Intesis interface and make sure it matches the current installation's parameters:

By default, the interface is set to:

- Modbus Slave Address → 1
- Modbus baud rate → 9600 bps

These parameters can be modified from DIP-Switches (see for further information).

NOTE: All changes on the DIP-Switch configuration require a system power cycle to be applied.

7. Connect the AC system to Mains Power.

IMPORTANT: The Intesis interface requires to be connected to the AC unit (powered) to start communicating.

4 Modbus Interface Specification

4.1 Modbus physical layer

INMBSFGL001I000 implements a Modbus RTU (Slave) interface, to be connected to an EIA-485 line. It performs 8N2 communication (8 data bits, no parity and 2 stop bit) with several available baud rates (2400 bps, 4800 bps, 9600 bps -default-, 19200 bps, 38400 bps, 57600 bps, 76800 bps and 115200 bps). It also supports 8N1 communication (8 data bits, no parity and 1 stop bit).

4.2 Modbus Registers

All registers are type “16-bit unsigned Holding Register” and they use the *Modbus big endian* notation.

4.2.1 Control and status registers

Register Address (protocol address)	Register Address (PLC address)	R/W	Description
0	1	R/W	AC unit On/Off <ul style="list-style-type: none"> ▪ 0: Off ▪ 1: On
1	2	R/W	AC unit Mode ¹ <ul style="list-style-type: none"> ▪ 0: Auto ▪ 1: Heat ▪ 2: Dry ▪ 3: Fan ▪ 4: Cool
2	3	R/W	AC unit Fan Speed ¹ <ul style="list-style-type: none"> ▪ 0: Auto ▪ 1: Quiet ▪ 2: Low ▪ 3: Med ▪ 4: High
3	4	R/W	AC unit Vane Position ¹ <ul style="list-style-type: none"> ▪ 1: Position-1 (Horizontal) ▪ 2: Position-2 (Horizontal) ▪ 3: Position-3 (Medium) ▪ 4: Position-4 (Vertical) ▪ 10: Swing
4	5	R/W	AC unit Temperature Setpoint ^{1,2,3,4} <ul style="list-style-type: none"> ▪ -32768 (Initialization value) ▪ 16..30 (°C) (0 = undetermined) ▪ 61..86 (°F) (0 = undetermined)
5	6	R	AC unit Temperature reference ^{1,2,3,4} <ul style="list-style-type: none"> ▪ 18..30 (°C) (0 = undetermined) ▪ 64,4..86 (°F) (0 = undetermined) ▪ 0x8000 There is no temperature sent from the Remote controller
6	7	R/W	Window Contact <ul style="list-style-type: none"> ▪ 0: Closed (Default) ▪ 1: Open
7	8	R/W	INMBSFGL001I000 Disablement ⁵ <ul style="list-style-type: none"> ▪ 0: INMBSFGL001I000 enabled (Default value) ▪ 1: INMBSFGL001I000 disabled
8	9	R/W	AC Remote Control Disablement ⁵ <ul style="list-style-type: none"> ▪ 0: Remote Control enabled (Default value) ▪ 1: Remote Control disabled
9	10	R/W	AC unit Operation Time

¹ Available values will depend on the AC unit mode. Check the AC unit model functions in its user manual to know the possible values for this register.

² Magnitude for this register can be adjusted to Celsius x 1°C, Celsius x 10°C (default) or Fahrenheit.

³ It is not possible to turn to x10 the value shown in Fahrenheit.

⁴ See section 4.2.3 CONSIDERATIONS ON TEMPERATURE REGISTERS for more information

⁵ This value is stored in non-volatile memory

Register Address (protocol address)	Register Address (PLC address)	R/W	Description
			<ul style="list-style-type: none"> 0..65535 (hours). Counts the time the AC unit is in "On" state.
10	11	R	AC unit Alarm Status <ul style="list-style-type: none"> 0: No alarm condition 1: Alarm condition
11	12	R	Error Code ⁶ <ul style="list-style-type: none"> 0: No error present 65535(-1 if it is read as signed value): Error in the communication of INMBSFGL0011000 or Remote Controller with the AC unit. Any other value, see the table at the end of this document.
22	23	R/W	Indoor unit's ambient temperature from external sensor (at Modbus side) ^{1,2,3,4} <ul style="list-style-type: none"> -32768: (Initialization value). No temperature is being provided from an external sensor. Any other: (°C/x10°C/°F)
23	24	R	AC Real temperature setpoint ^{1,2,3,4} <ul style="list-style-type: none"> When no external temperature is provided, this read-only register will have the same value as register 5 (PLC addressing). In all cases, it will show the current setpoint in the indoor unit. 16..31°C (°C/x10°C) 60..92°F
24	25	R	Current AC max setpoint ^{1,2,3} <ul style="list-style-type: none"> -32768 (Initialization value) Ranges are specific from Manufacturer
25	26	R	Current AC min setpoint ^{1,2,3} <ul style="list-style-type: none"> -32768 (Initialization value) Ranges are specific from Manufacturer
26	27	R/W	AC unit Horizontal Vane Position ¹ <ul style="list-style-type: none"> 0: Auto (Default) 1: Position 1 ... 5: Position 5 10: Swing
31	32	R	Window status (feedback) <ul style="list-style-type: none"> 0: Not active (Default value) 1: Active (Window is open)
36	37	R/W	External On/Off disablement: <ul style="list-style-type: none"> 0: Not active (Default value) 1: Active
40	41	R	Window contact ON/OFF disablement: <ul style="list-style-type: none"> 0: Window contact is disabled (not working) 1: Window contact is enabled (in use)
43	44	W	Filter reset: <ul style="list-style-type: none"> 1: Reset
44	45	R	Filter status <ul style="list-style-type: none"> 0: Off 1: Lit
56	57	R/W	Antifreeze operation <ul style="list-style-type: none"> 0: Disabled 1: Enabled
64	65	R/W	Economy <ul style="list-style-type: none"> 0: Disabled 1: Enabled
65	66	R	Input reference temperature ^{1,2,3}

⁶ See section 7 **ERROR CODES** for possible error codes and their explanation

Register Address (protocol address)	Register Address (PLC address)	R/W	Description
			<ul style="list-style-type: none"> 0x8000: No temperature's value is being provided from an external sensor. No virtual temperature is being applied. Any other: (°C/x10°C/°F)
66	67	R	Return path temperature ^{1,2,3} <ul style="list-style-type: none"> -32768 (Initialization value) Ranges are specific from Manufacturer
97	98	R/W	Block Periodic Sendings ^{5,7} <ul style="list-style-type: none"> 0: Non-blocked (Default value) 1: Blocked
98	99	R	Master/Slave (gateway's role) <ul style="list-style-type: none"> 0: Slave 1: Master

4.2.2 Configuration Registers

Register Address (protocol address)	Register Address (PLC address)	R/W	Description
13	14	R/W	"Open Window" switch-off timeout ⁸ <ul style="list-style-type: none"> 0..30 (minutes) Factory setting: 30 (minutes)
14	15	R	Modbus RTU baud-rate <ul style="list-style-type: none"> 2400bps 4800bps 9600bps (Default) 19200bps 38400bps 57600bps 76800bps 115200bps
15	16	R	Modbus Slave Address <ul style="list-style-type: none"> 1..63
49	50	R	Device ID: 0x0D00
50	51	R	Software version
99	100	W	Reset <ul style="list-style-type: none"> 1: Reset

4.2.3 Considerations on Temperature Registers

- AC unit Temperature Setpoint (R/W)** (register 5 – in PLC addressing): This is the adjustable temperature setpoint meant to be required by the user. This register can be read (Modbus function 3 or 4) or written (modbus functions 5 or 16). A remote controller connected to the 3-wire bus of the Fujitsu indoor unit will report the same temperature setpoint value as this register.
- AC unit external reference temperature (R/W)** (register 23 – in PLC addressing): This register allows providing an external temperature reference from Modbus side. If an external temperature is provided through this register, indoor unit will use it as reference for its temperature control loop.
 - This register will have no effect in those Fujitsu RAC / domestic line splits Air-Conditioning units – this is, those models requiring an additional communication accessory enabling communication with INMBSFGL0011000.
 - For this temperature to take effect it is required that the Fujitsu AC indoor unit is configured in such a way that it uses the "thermostat sensor in the remote controller" (this is, INMBSFGL0011000 will act as thermostat sensor providing a temperature sensor reading).

⁷ If the register is configured as "0:Non-blocked", all commands received from Modbus will be sent to the AC system. If "1: Blocked", commands from Modbus will only be sent to the AC system if they differ from the previous value.

⁸ Once window contact is open, a count-down to switch off the AC Unit will start from this configured value.

- This configuration is done via a Fujitsu remote controller connected to the indoor unit (Function number “42” – setting value “1” / operation of Thermosensor button) and must be done by Fujitsu authorized installers at the time of the installation of the AC.
- Register value after INMBSFGL001I000 startup is -32768, which means that no temperature reference is provided to the AC indoor unit. In that case, AC indoor unit will use its own return path temperature sensor as reference for its control loop.
- Virtual temperature mechanism will be activated once the first temperature value is received on register 23 – in PLC addressing:

$$S_{AC} = S_u - (T_u - S_u)$$

Where:

S_{AC} - setpoint value currently applied to the indoor unit

S_u - setpoint value

T_u - external temperature reference written at BACnet side

When INMBSFGL001I000 detects a change in any of the values of $\{S_u, T_u\}$, it will send the new setpoint (S_{AC}) to the indoor unit.

Moreover, notice that temperature's values of all these four registers are expressed according to the temperature's format configured through its onboard DIP-Switches (See section 4.3 for details). These following formats are possible:

- **Celsius value:** Value in Modbus register is the temperature value in Celsius (i.e. a value “22” in the Modbus register must be interpreted as 22°C).
- **Tenths of value:** Value in Modbus register is the temperature value in decicelsius (i.e. a value “220” in the Modbus register must be interpreted as 22.0°C).
- **Fahrenheit value:** Value in Modbus register is the temperature value in Fahrenheit (i.e. a value “72” in the Modbus register must be interpreted as 72°F (~22°C)).

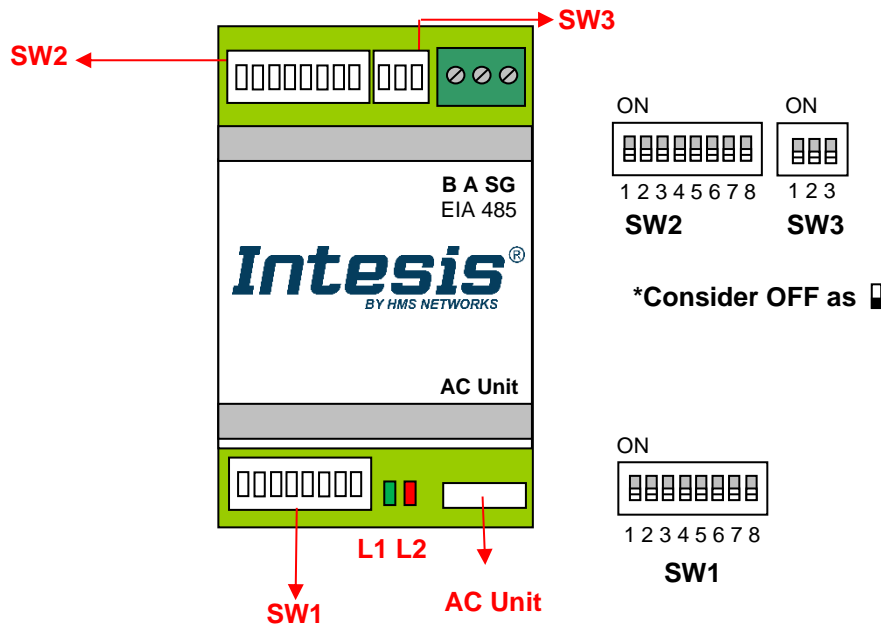
NOTE

- Fujitsu General cannot guarantee the Room Temperature object value is consistently equal to the current actual room temperature.
- The Room Temperature is only allowed for displaying, it cannot be used for controlling other equipment.

4.3 DIP-switch Configuration Interface

All the configuration values on INMBSFGL001I000 can be written and read from Modbus interface. Otherwise, some of them can also be setup from its on-board DIP-switch interface.

The device has DIP-switches SW1, SW2 and SW3 on the following locations:



The following tables apply to the interface’s configuration through DIP-switches:

SW1 – AC configuration + Modbus baud rate

AC Configuration				Modbus Baud rate	
SW1-P1...5	Description			SW1-P6..8	Description
	Not used (default value)		Low Power mode (default value)		2400bps
	Not used		High Performance mode		4800bps
	Not used (default value)				9600bps (Default value)
	Not used				19200bps
	Not used (default value)				38400bps
	Not used				57600bps
	Not used (default value)				76800bps
	Not used				115200bps

Table 4.1 SW1: AC Configuration + Modbus baud rate

SW2 – Modbus Slave address + Degrees/tenths of degrees (x10) + Temp. magnitude (°C/°F)

Add	SW2-P1..6	Add	SW2-P1..6	Add	SW2-P1..6	Add	SW2-P1..6	Add	SW2-P1..6
0		13		26		39		52	
1		14		27		40		53	
2		15		28		41		54	
3		16		29		42		55	
4		17		30		43		56	
5		18		31		44		57	
6		19		32		45		58	
7		20		33		46		59	
8		21		34		47		60	
9		22		35		48		61	
10		23		36		49		62	
11		24		37		50		63	
12		25		38		51			

Table 4.2 SW2: Modbus slave address

SW2-P7-8	Description
	Temperature values in ModBus register are represented in degrees (x1) (default value)
	Temperature values in ModBus register are represented in tenths of degrees (x10)
	Temperature values in ModBus register are represented in Celsius degrees (default value)
	Temperature values in ModBus register are represented in Fahrenheit degrees

Table 4.3 SW2: Degrees / tenths of degrees (x10) + Temperature magnitude (°C/°F)

SW3 – Termination resistor + BUS polarization configuration


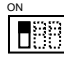


SW3-P1..3	Description
	EIA-485 bus without termination resistor (Default value).
	Internal termination resistor of 120Ω connected to EIA-485 bus.
	No BUS polarization (default value).
	BUS polarization active.

Table 4.4 SW3: Temperature and termination resistor configuration

4.4 Implemented Functions

INMBSPAN001R000 implements the following standard Modbus functions:

- 3: Read Holding Registers
- 4: Read Input Registers
- 6: Write Single Register
- 16: Write Multiple Registers (Despite this function is allowed, the interface does not allow to write operations on more than 1 register with the same request, this means that length field should be always be 1 when this function is being used in case of writing)

4.5 Device LED indicator

The device includes two LED indicators to show all the possible operational states. In the following table there are written the indicators which can be performed and their meaning.

L1 (green LED)

Device status	LED indication	ON / OFF Period	Description
During not normal operation	LED blinking	500ms ON / 500ms OFF	Communication error
During normal operation	LED flashing	100ms ON / 1900ms OFF	Normal operation (configured and working properly)

L2 (red LED)

Device status	LED indication	ON / OFF Period	Description
During not normal operation	LED Pulse	3sec ON / --- OFF	Under voltage

L1 (green LED) & L2 (red LED)

Device status	LED indication	ON / OFF Period	Description
During normal operation	LED Pulse	5sec ON / --- OFF	Device Start-up
During not normal operation	LED alternatively blinking	500ms ON / 500ms OFF	EEPROM failure

4.6 EIA-485 bus. Termination resistors and Fail-Safe Biasing mechanism

EIA-485 bus requires a 120Ω terminator resistor at each end of the bus to avoid signal reflections.

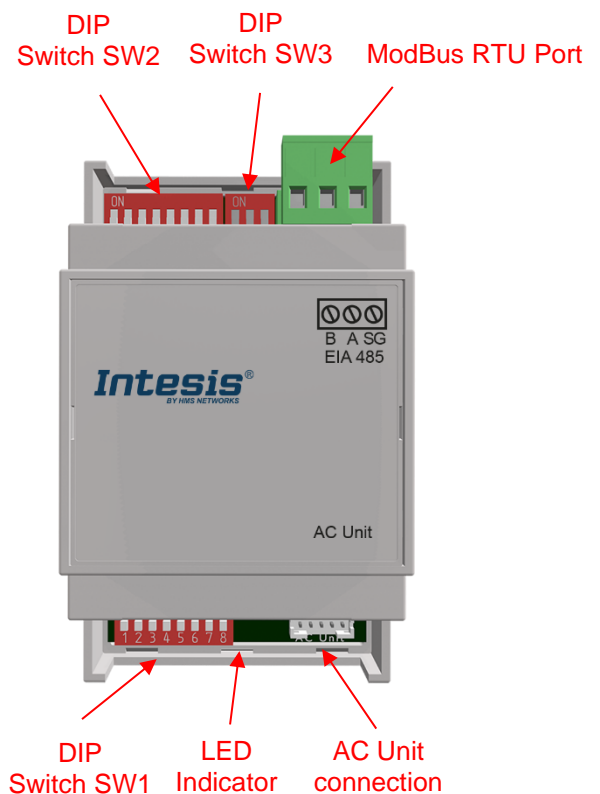
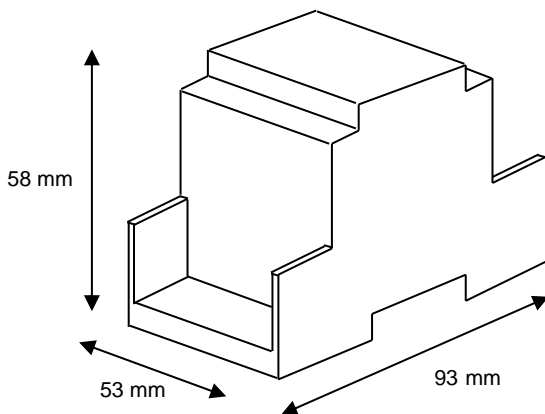
To prevent fail status detected by the receivers, which are *“listening” the bus*, when all the transmitters' outputs are in three-state (high impedance), it is also required a fail-safe biasing mechanism. This mechanism provides a safe status (a correct voltage level) in the bus when all the transmitters' outputs are in three-state. This mechanism must be supplied by the Modbus Master.

The INMBSFGL001I000 device includes an on-board terminator resistor of 120Ω that can be connected to the EIA-485 bus by using DIP-switch SW4.

Some Modbus RTU EIA-485 Master devices can provide also internal 120Ω terminator resistor and/or fail-safe biasing mechanism (Check the technical documentation of the Master device connected to the EIA-485 network in each case).

5 Mechanical & electrical characteristics

Enclosure	Plastic, type PC (UL 94 V-0) Net dimensions (dxwxh): 93 x 53 x 58 mm / 3.7" x 2.1" x 2.3" Color: Light Grey. RAL 7035	Operation Temperature	0°C to +70°C
Weight	85 g.	Stock Temperature	-20°C to +85°C
Mounting	Wall DIN rail EN60715 TH35.	Operational Humidity	<95% RH, non-condensing
Terminal Wiring (for low-voltage signals)	For terminal: solid wires or stranded wires (twisted or with ferrule) 1 core: 0.5mm ² ... 2.5mm ² 2 cores: 0.5mm ² ... 1.5mm ² 3 cores: not permitted	Stock Humidity	<95% RH, non-condensing
ModBus RTU port	1 x EIA485 Plug-in screw terminal block (2 poles + GND) with 120 Ω resistor termination and polatization selectable by switch.	Isolation voltage	1500 VDC
AC unit port	1 x Specific connector Specific cable included	Isolation resistance	1000 MΩ
Switch 1 (SW1)	1 x DIP-Switch for Air Conditioner Unit + ModBus baud rate	Protection	IP20
Switch 3 (SW3)	1 x DIP-Switch for ModBus RTU slave address + temperature magnitude (°C/°F) and scale (x1/x10).	LED indicators	2 x Onboard LED - Operational status



6 AC Unit Types compatibility

Please, check compatibility list at to know which Fujitsu units are compatible with our gateway.

https://www.intesis.com/docs/compatibilities/inxxfgl001i000_compatibility

7 Error codes

7.1 Intesis Codes

Error Code Modbus	Error in Remote Controller	Error Description
0	N/A	No active error
65535 (-1)	N/A	Error in the communication of INMBSFGL001I000 or Remote Controller with the AC unit

7.2 RAC and VRF J-II / V-II / VR-II series

Error Code Modbus	Error in Remote Controller	System	Error Description
0	00	RAC Inverter and Non Inverter	Wired remote controller error
1	01		Indoor signal error
2	02		Indoor room temperature sensor error
3	03		Indoor room temperature sensor error
4	04		Indoor heat exchanger temperature sensor (middle) error
5	05		Indoor heat exchanger temperature sensor (middle) error
6	06		Outdoor heat exchanger temperature sensor (outlet) error
7	07		Outdoor heat exchanger temperature sensor (outlet) error
8	08		Power voltage error
9	09		Float switch operated
10	0A		Outdoor temperature sensor error
11	0b		Outdoor temperature sensor error
12	0C		Outdoor discharge pipe temperature sensor error
13	0d		Outdoor discharge pipe temperature sensor error
14	0E		Heat sink thermistor (Inverter) error
15	0F		Discharge temperature error
17	11		Indoor unit EEPROM error
18	12		Indoor fan error
19	13		Indoor signal error
20	14		Outdoor EEPROM error
21	15		Compressor temperature sensor error
22	16		Pressure switch abnormal, Pressure sensor error
23	17		IPM protection
24	18		CT error
25	19		Active filter error
26	1A		INV voltage protection
27	1b		Compressor location error
28	1C		Outdoor fan error
29	1d		Outdoor unit computer communication error
30	1E		2-way valve temperature sensor error
31	1F		3-way valve temperature sensor error
32	20		Connected indoor unit error
33	21		Indoor MANUAL AUTO switch error
34	22		reverse VDD permanent stop protection
36	24		VDD permanent stop protection
37	25		Excessive high pressure protection on cooling
38	26		P.F.C. circuit error
39	27		Indoor signal error
40	28		Indoor signal error
41	29		Indoor heat exchanger temperature sensor (inlet) error
42	2A		Outdoor heat exchanger temperature sensor (middle) error
43	2b		Power supply frequency detection error
44	2C		Compressor temperature error
			4-way valve error

Error Code Modbus	Error in Remote Controller	System	Error Description
45	2d	RAC Inverter and Non Inverter	Heat sink thermistor P.F.C. error
46	2E		Indoor unit damper error
47	2F		Inverter error
48	30		Low pressure error
49	31		Refrigerant circuit address set-up error
50	32		Master unit, Slave unit set-up error
51	33		Connected the indoor number set-up error
52	34		P.F.C. printed circuit board error
53	35		Indoor fan 2 error
54	36		Control box thermistor error
55	37		Indoor unit CT error
56	38	Indoor fan motor 1 driving circuit error	
			Indoor fan motor 2 driving circuit error
117	11	RAC Inverter Models G series VRF J-II/V-II/VR-II Series	Serial communication error between indoor/outdoor units
118	12		Remote controller communication error
119	13		Communication error between outdoor units
120	14		Network communication error
121	15		Scan error
122	16		Peripheral unit communication error
123	17		Electricity charge apportionment error
133	21		Indoor unit initial setting error
134	22		Indoor unit capacity abnormal
135	23		Incompatible series connection error
136	24		Connection unit number error
137	25		Connection pipe length error
138	26		Indoor unit address setting error
139	27		Master/slave unit setting error
140	28		Other setting error
141	29		Connection unit number error in wired remote controller system
149	31		Indoor unit power supply abnormal
150	32		Indoor unit main PCB error
151	33		Indoor unit display PCB error
152	34		Power relay error
153	35		Indoor unit manual auto switch error
154	36		Heater relay error
155	37		Indoor unit transmission PCB error
156	38		Network convertor PCB error
157	39		Indoor unit power supply circuit error
158	3A		Indoor unit communication circuit (wired remote controller) error
165	41		Indoor unit room temp. thermistor error
166	42		Indoor unit heat ex. temp. thermistor error
167	43		Humidity sensor error
168	44		Light sensor error
169	45		Gas sensor error
170	46		Float sensor error
171	47		Water temperature sensor error
172	48		Warm water flow rate sensor error
173	49		Heater sensor error
181	51		Indoor unit fan motor 1 error
182	52		Indoor unit coil (expansion valve) error
183	53		Indoor unit water drain abnormal
184	54		Air cleaning function error
185	55	Filter cleaning function error	
186	56	Water circulation pump error	
187	57	Indoor unit damper error	
188	58	Indoor unit intake grille position error	
189	59	Indoor unit fan motor 2 error	

Error Code Modbus	Error in Remote Controller	System	Error Description	
195	5U	RAC Inverter Models G series	Indoor unit miscellaneous error	
197	61		Outdoor unit power supply abnormal	
198	62		Outdoor unit main PCB error	
199	63		Outdoor unit inverter PCB error	
200	64		Outdoor unit active filter/PFC circuit error	
201	65		Outdoor unit IPM error	
202	66		Convertor distinction error	
203	67		Outdoor unit power short interruption error (protective operation)	
204	68		Outdoor unit magnetic relay error	
205	69		Outdoor unit transmission PCB error	
206	6A		Outdoor unit display PCB error	
213	71		Outdoor unit discharge temp. thermistor error	
214	72		Outdoor unit compressor temp. thermistor error	
215	73		Outdoor unit heat ex. temp. thermistor error	
216	74		Outside air temp. thermistor error	
217	75		Outdoor unit suction gas temp. thermistor error	
218	76		Outdoor unit operating valve thermistor error	
219	77		Outdoor unit heat sink temp. thermistor error	
220	78		Expansion valve temperature sensor error	
229	81		Receiver liquid level detection sensor error	
230	82		Outdoor unit sub-cool heat ex. gas temp. thermistor error	
231	83		Outdoor unit liquid pipe temp. thermistor error	
232	84		Outdoor unit current sensor error	
233	85		Fan motor current sensor error	
234	86		Outdoor unit pressure sensor error	
235	87		Oil sensor error	
245	91		VRF J-II/V-II/VR-II Series	Outdoor unit compressor 1 error
246	92			Outdoor unit compressor 2 error
247	93			Outdoor unit compressor start up error
248	94			Outdoor unit trip detection
249	95			Outdoor unit compressor motor control error
250	96			Open loop error (Field-weakening relevant)
251	97			Outdoor unit fan motor 1 error
252	98			Outdoor unit fan motor 2 error
253	99			Outdoor unit 4-way valve error
254	9A			Outdoor unit coil (expansion valve) error
259	9U			Outdoor unit miscellaneous error
261	A1			Outdoor unit discharge temperature 1 error
262	A2			Outdoor unit discharge temperature 2 error
263	A3			Outdoor unit compressor temperature error
264	A4			Outdoor unit pressure error 1
265	A5			Outdoor unit pressure error 2
266	A6			Outdoor unit heat exchanger temperature error
267	A7	Suction temperature abnormal		
268	A8	Poor refrigerant circulation		
269	A9	Current overload error		
270	AA	Outdoor unit special operation error		
271	AC	Ambient temperature error		
272	AF	Out of the possible operation range		
273	AJ	Freeze protection operated		
277	C1	Peripheral unit main PCB error		
278	C2	Peripheral unit transmission PCB error		
279	C3	Peripheral unit PCB 1 error		
280	C4	PCB 2 error		
281	C5	PCB 3 error		
282	C6	PCB 4 error		
283	C7	PCB 5 error		

Error Code Modbus	Error in Remote Controller	System	Error Description	
284	C8	RAC Inverter Models G series	Peripheral unit input device error	
285	C9		Display device error	
286	CA		EEPROM error	
287	CC		Peripheral unit sensor error	
288	CF		Peripheral unit external connector error (USB memory)	
289	CJ		Other parts error	
293	F1		System tool software error	
294	F2		System tool adaptor error	
295	F3		System tool interface error	
296	F4		System tool environment error	
309	J1		VRF J-II/V-II/VR-II Series	RB unit error
310	J2			Branch boxes error
311	J3			Total heat exchanging, ventilation unit error
312	J4	Domestic hot water unit error		
313	J5	Zone control interface error		

7.3 VRF V / S / J Series

Error Code Modbus	Error in Remote Controller	System	Error Description
0	00	VRF V / S / J Series	No Error
2	02		Model information Error
4	04		Power frequency Error
6	06		EEPROM access Error
7	07		EEPROM deletion Error
9	09		Room sensor Error
10	0A		Heat Ex. Middle Sensor Error
11	0b		Heat Ex. Inlet sensor Error
12	0C		Heat Ex. Outlet sensor Error
13	0d		Blower temperature thermistor Error
17	11		Drain Error
18	12		Room temperature Error
19	13		Indoor fan motor Error
20	18		Standard wired remote Error
31	1F		Standard wired token Error
32	20		Network communication Error
33	21		Node setting error
34	32		Communication Error between Main PCB & Transmission PCB
			Outdoor unit Error

In case you detect an error code not listed, contact your nearest Fujitsu technical support service for more information on the error meaning.