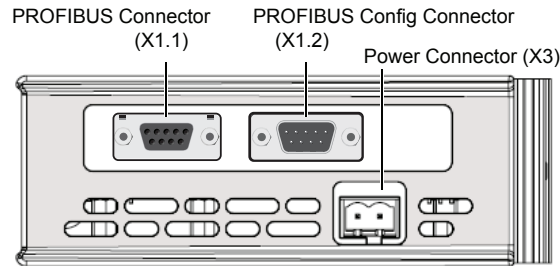


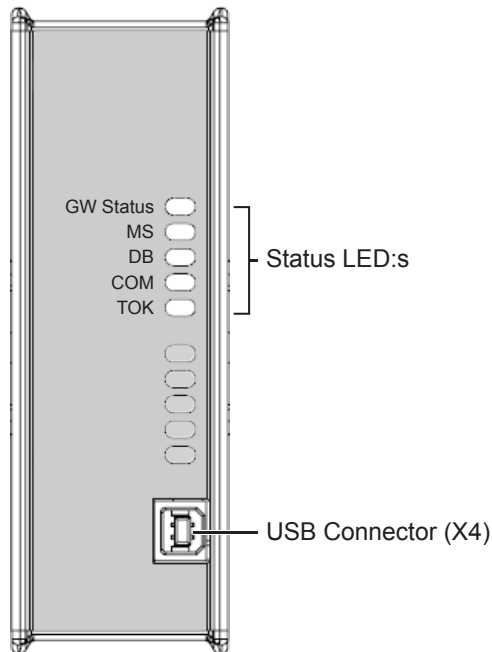
## Product Overview

The PROFIBUS Master interface can only be mounted in the top slot of the Anybus X-gateway.

## Top view



## Front view



## LED Indicators

LED	Indication	Meaning
GW Status	See Gateway Installation Sheet	
MS	Green	Operating mode
	Green (flashing)	Clear mode
	Red	Stop mode
	Off	Offline
DB	Green	Database OK
	Green (flashing)	Database download in progress
	Red	Database invalid
COM	Off	No database downloaded
	Green	Data exchange with all configured slaves
	Green (flashing)	Data exchange with at least one slave
	Red	Bus control error
TOK	Off	No data exchange
	Green	Master holds the token
	Off	Master does not hold the token

## Accessories Checklist

The following items are required for installation:

- PROFIBUS configuration tool (not included)
- USB cable (optional, included)
- GSD file for network configuration (available at [www.anybus.com](http://www.anybus.com))
- PROFIBUS cable (not included)
- Null modem cable (not included)

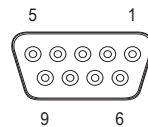
## Installation and Startup Summary

(Some steps are optional depending on your actual setup)

1. Connect the gateway to the PROFIBUS network<sup>1</sup>
2. Connect a PC to the gateway via USB (optional)
3. Connect a PC to the PROFIBUS Config Connector using a null modem cable (optional)
4. Power up and (if required) configure the gateway
5. Install the GSD file in the PROFIBUS configuration tool

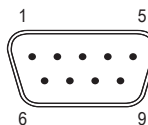
<sup>1</sup> If the node is the last on a bus segment, use a PROFIBUS connector with built-in terminating resistors.

## PROFIBUS Connector



Pin	Signal
1, 2, 7, 9	(not used)
3	Line B
4	RTS
5	GND Bus
6	+5 V Bus Out
8	Line A
Housing	Ground

## PROFIBUS Config Connector (RS232)



Pin	Signal
1	(not used)
2	RxD
3	TxD
4	(not used)
5	Ground
6, 7, 8, 9	(not used)
Housing	Ground

## Technical Support

Technical support, documentation and software downloads are available at [www.anybus.com](http://www.anybus.com).

Technical questions regarding the PROFIBUS fieldbus system should be addressed to [www.profibus.com](http://www.profibus.com).