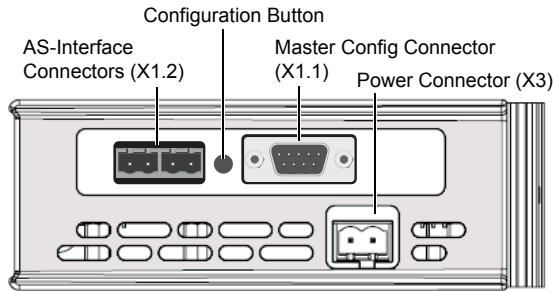


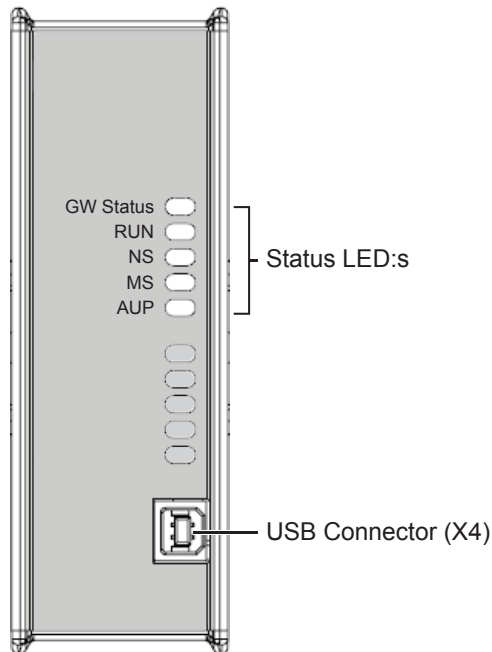
Product Overview

The AS-Interface Master interface can only be mounted in the top slot of the Anybus X-gateway.

Top view



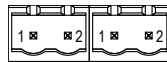
Front view



LED Indicators

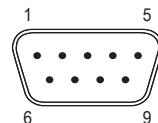
LED	Indication	Meaning
GW Status	See Gateway Installation Sheet	
RUN	Green	Running
	Red	Idle
NS	Green	Online, no connections
	Green (1 Hz)	Online according to configuration
	Red	Offline
MS	Green	Configuration Mode
	Green (8 Hz)	Auto Configuration in progress
	Green (1 Hz)	Protected Mode
	Red	Power fail bus
AUP	Green (8 Hz)	Auto programming possible
	Green (1 Hz)	Slave address 0 exists
	Red	Periphery error
	Red (8 Hz)	Periphery error Auto programming possible
	Red (1 Hz)	Periphery error Slave with address 0 exists

AS-Interface Connectors



Pin	Signal
1	AS-Interface +
2	AS-Interface -

Master Config Connector (RS232)



Pin	Signal
1	(not used)
2	RxD
3	TxD
4	(not used)
5	Ground
6, 7, 8, 9	(not used)
Housing	Shield

Accessories Checklist

The following items are required for installation:

- USB cable (included)
- Null modem cable (not included)
- AS-Interface cables (not included)

Installation and Startup Summary

(Some steps are optional depending on your actual setup)

1. Connect the gateway to the AS-Interface network
2. Connect a PC to the gateway via USB (optional)
3. Connect a PC to the Master Config Connector using a null modem cable (optional)
4. Power up and (if required) configure the gateway

Configuration Button

The Configuration Button has two functions:

- **Mode Change – push and hold < 2 seconds**
Toggles between Configuration Mode and Protected Mode.
- **Initiate Auto Configuration – push and hold > 5 seconds**
Uploads the current network configuration and saves it as the pre-set configuration.
This function is only available in Configuration Mode

The Configuration Button will only function if bus power is present.

Technical Support

Technical support, documentation and software downloads are available at www.anybus.com.

Technical questions regarding the AS-Interface fieldbus system should be addressed to www.as-interface.net.