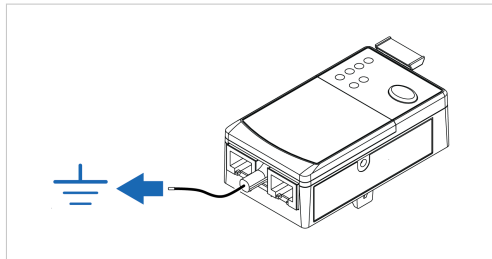
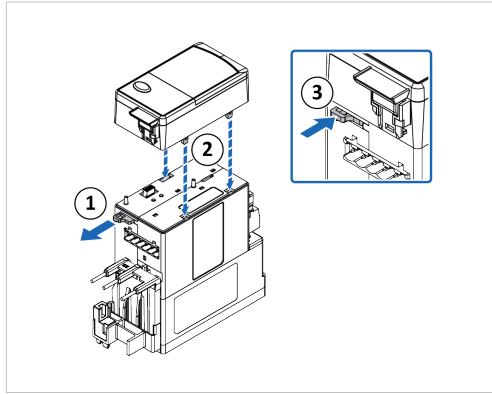
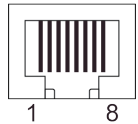


SAFETY AND COMPLIANCE INFORMATION

Anybus E300 Communication Module



RJ45



Pin	Data
1	TD+
2	TD-
3	RD+
4	
5	
6	RD-
7	
8	

Safety and Compliance Information

General Safety Instructions



WARNING

To prevent electrical shock, disconnect from power source before installing or servicing. Follow NFPA 70E requirements. Install in suitable enclosure. Keep free from contaminants.



WARNING

Installation, adjustments, putting into service, use, assembly, disassembly, and maintenance shall be carried out by suitably trained personnel in accordance with applicable code of practice.



WARNING

In case of malfunction or damage, no attempts at repair should be made. The product should be returned to the manufacturer for repair. Do not dismantle the product.

Intended Use

The intended use of this equipment is as a communication interface. The communication module allows an E300 Relay to be integrated into an automation system.

The communication module has two RJ45 connectors that function as a switch.

If this equipment is used in a manner not specified by the manufacturer, the protection provided by the equipment may be impaired.

Model Identification

Hardware description	Model ID
Common Ethernet	5S21

Installation

- Use minimum 90 °C copper (Cu) wire only.
- The equipment is considered as open type and shall be installed in a suitable end enclosure providing mechanical protection.

Technical Specifications

Model identification	5S21
Communication connector	RJ45 x 2
Power consumption	Typical: 220 mA @ 5 VDC
Storage temperature	-40 to +85 °C
Operating temperature open	-20 to +55 °C
Operating temperature enclosed	-20 to +40 °C
Humidity	EN 60068-2-78: Damp heat, +40°C, 92% humidity for 56 days EN 60068-2-30: Damp heat, +25°C – +40°C, 93% RH, 21 cycles
Cooling Method	Natural convection
Vibration	IEC 68-2-6: 5 G operating, 5 G non-operating
Shock	IEC 68-2-27: 30 G
Protection class	IP20

Model identification	5S21
Product weight	85 g
Dimensions	32 x 44,8 x 89,3 mm (H x W x D)

Additional technical data can be found in the product web page Technical Specifications tab at www.anybus.com.



Have the product article number available, to search for the product specific support web page. You find the product article number on the product cover.

CE Compliance



This product is in compliance with the EMC Directive 2014/30/EU and the RoHS Directive 2011/65/EU with amendment 2015/863 through conformance with applicable standards. The full text of the Declaration of Conformity is available at www.anybus.com/support

Disposal and recycling



You must dispose of this equipment properly according to local laws and regulations. Because this equipment contains electronic components, it must be disposed of separately from household waste. When this equipment reaches its end of life, contact local authorities to learn about disposal and recycling options, or return the equipment to HMS.

For more information, see www.hms-networks.com.