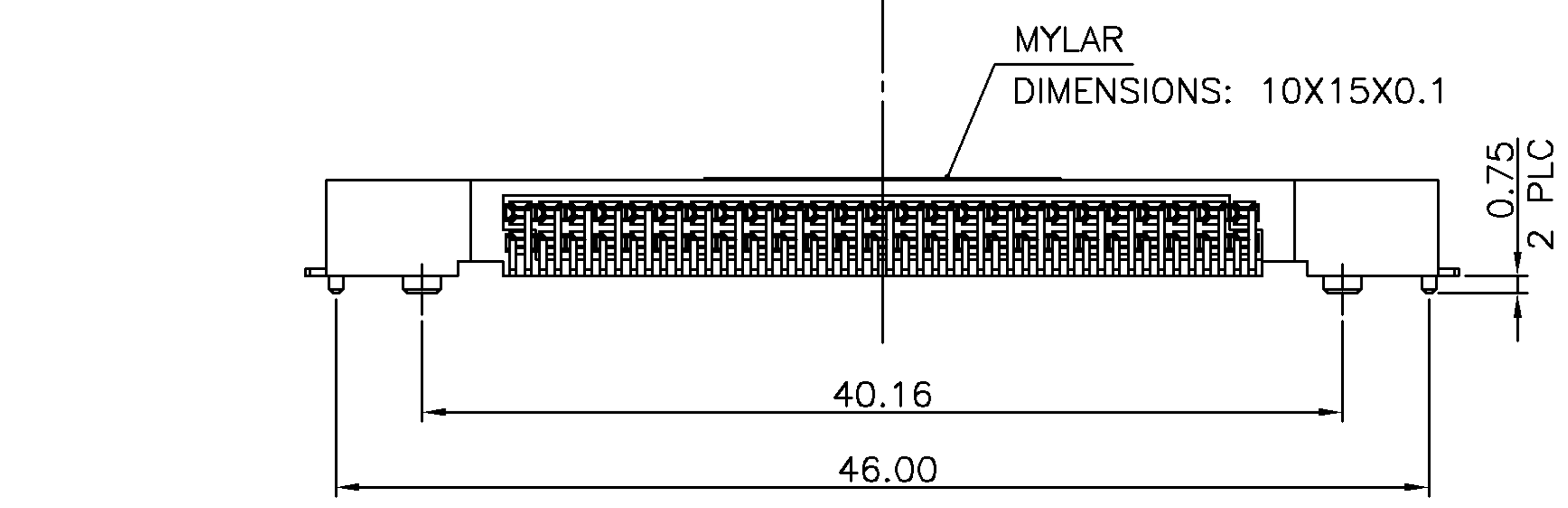
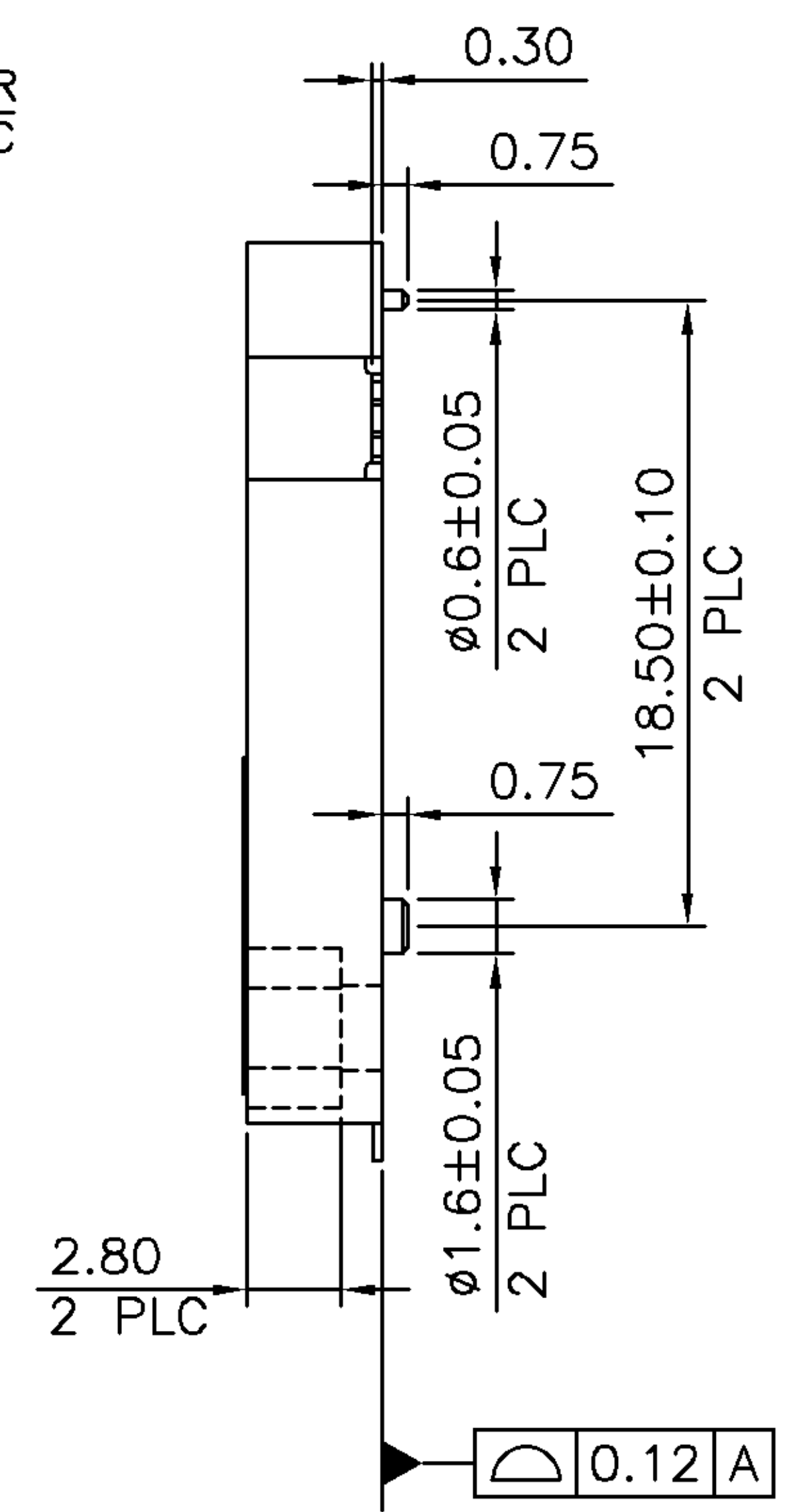
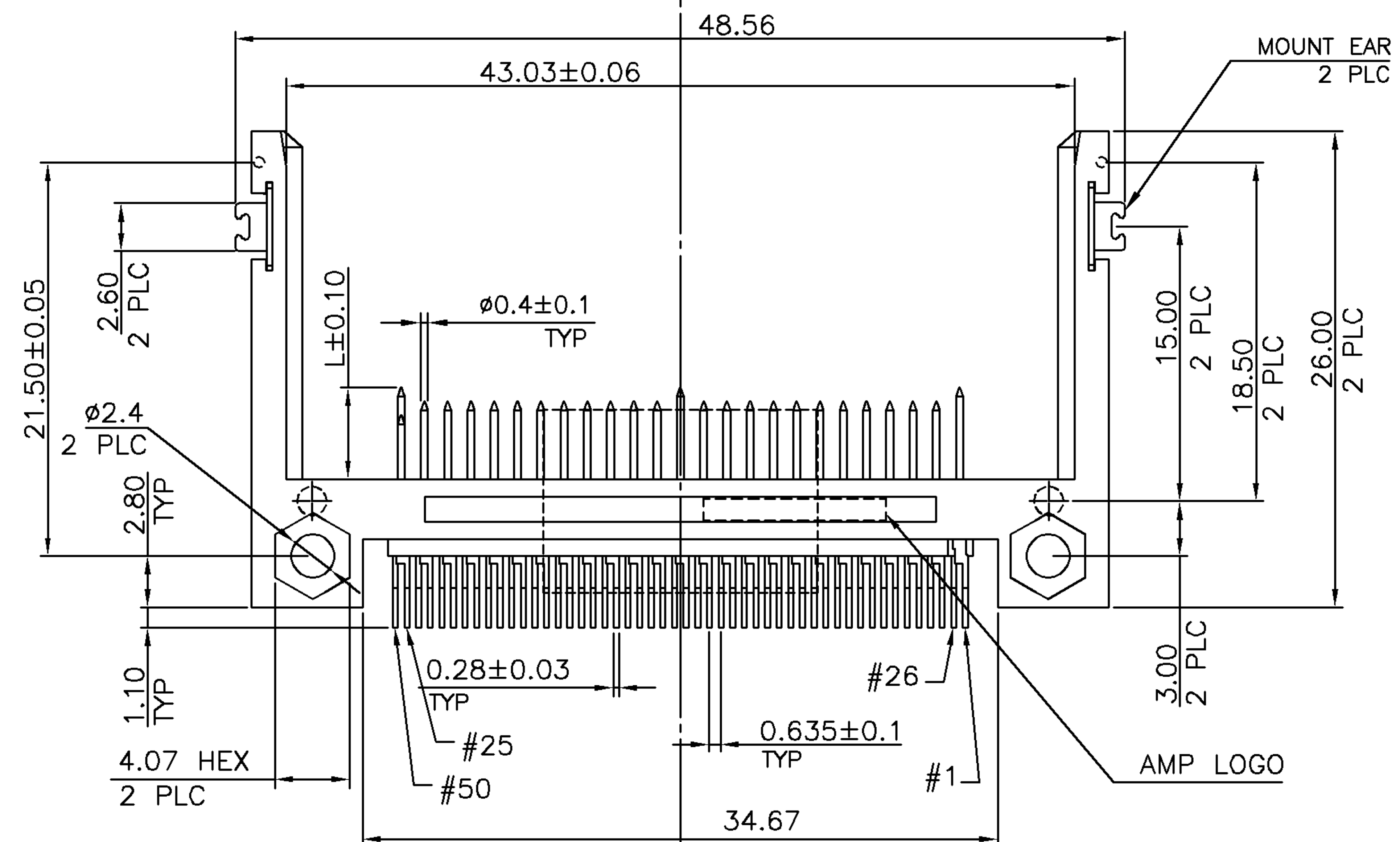
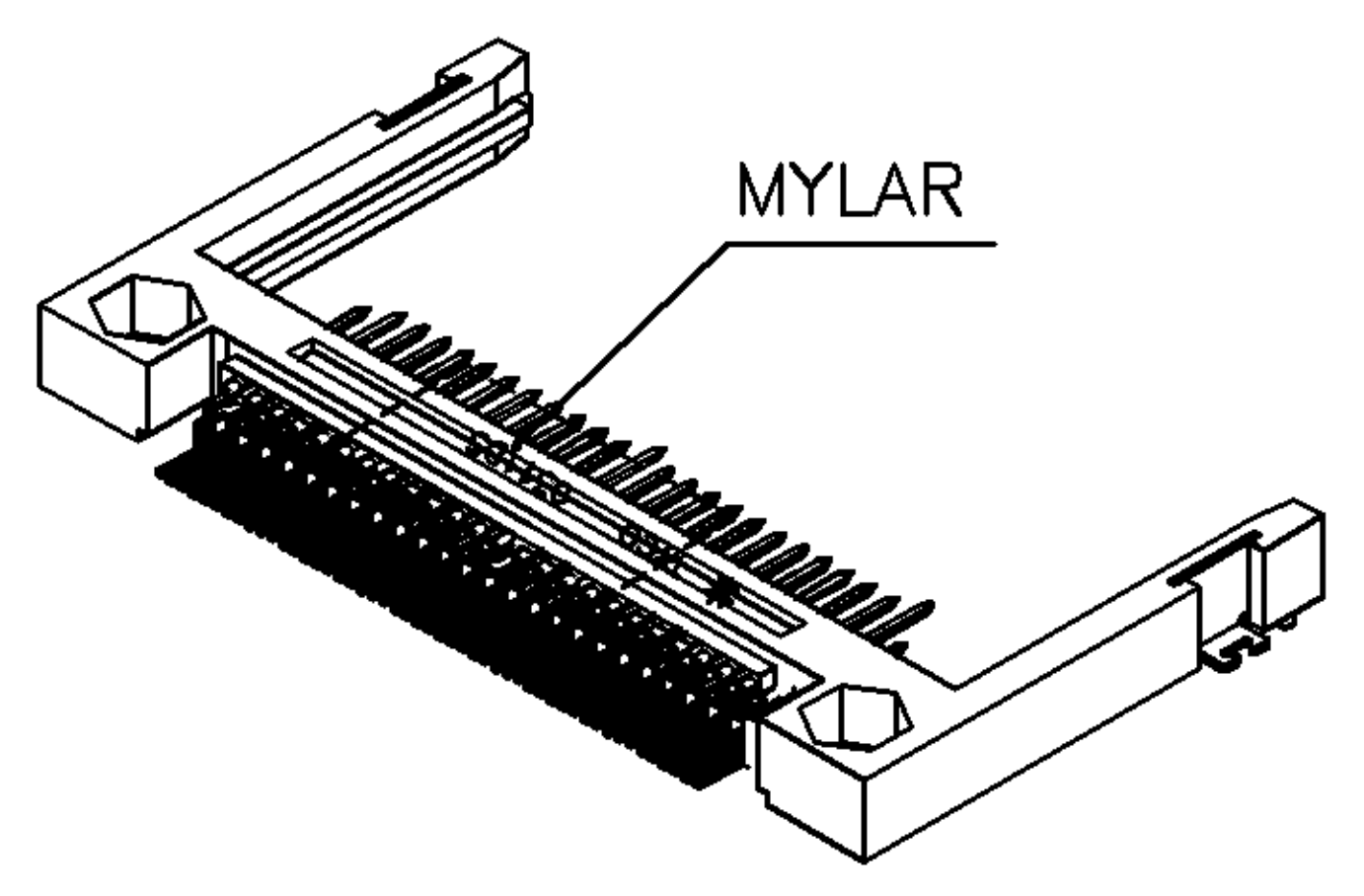
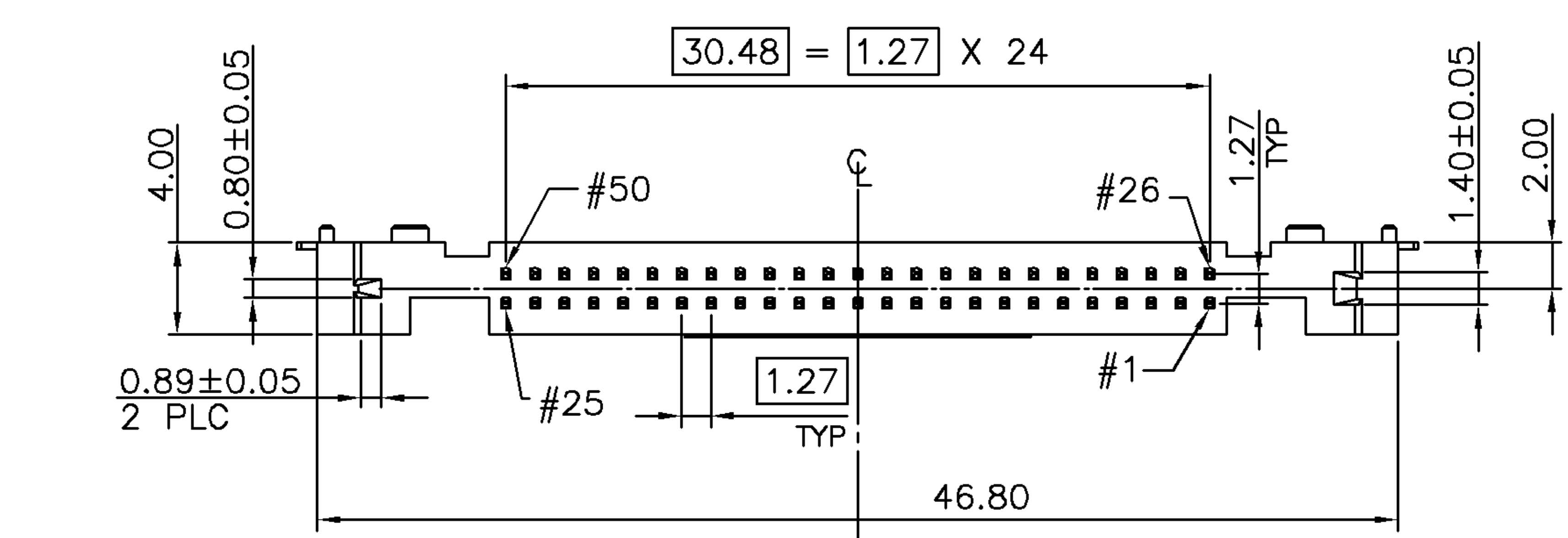


THIS INFORMATION IS CONFIDENTIAL AND IS DISCLOSED TO YOU ON CONDITION THAT NO FURTHER DISCLOSURE IS MADE BY YOU TO OTHER THAN AMP PERSONNEL WITHOUT WRITTEN AUTHORIZATION FROM AMP (TAIWAN) LTD. DIMENSIONS IN MILLIMETERS. DO NOT SCALE PRINT.

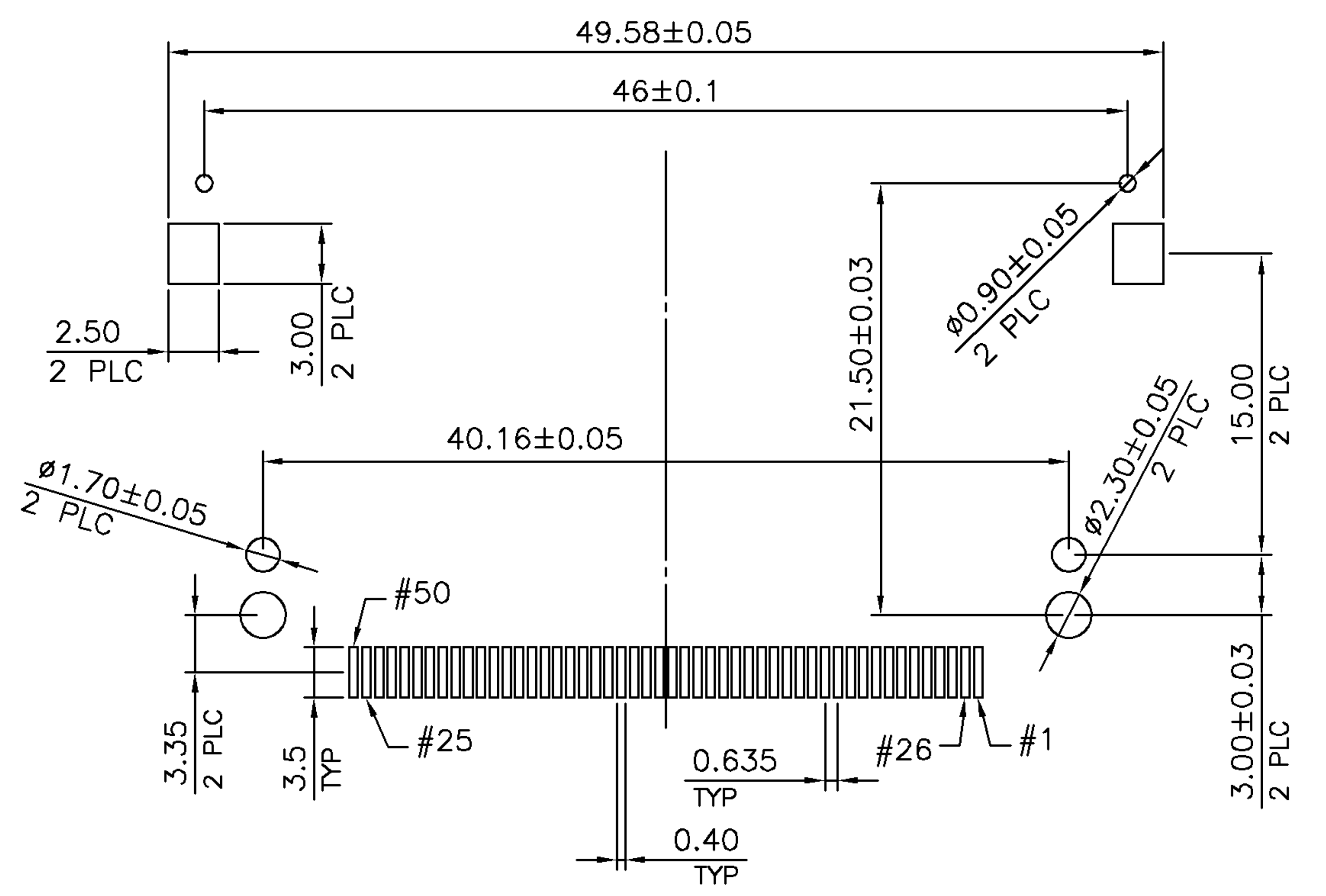
NUMBER
C-1734451



METRIC



POWER	5.00mm
GENERAL	4.25mm
DETECT	3.50mm
PIN TYPE	INTERFACE DIM. L



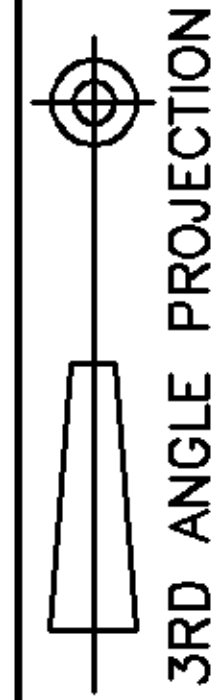
- NOTE:
- MATERIAL:
HOUSING: THERMOPLASTIC., UL 94V-0, COLOR: NATURAL.
CONTACT: BRASS, THICKNESS=0.25mm.
MOUNT EAR: BRASS, THICKNESS=0.30mm.
 - FINISH:
CONTACT: GOLD PLATED (SEE TABLE) IN CONTACT AREA, 100u" MIN. MATTE TIN ON SOLDER TAILS, 50u" MIN. NICKEL UNDERPLATED ALL OVER.
MOUNT EAR: 100u" MIN. TIN PLATED.
 - CONNECTOR REQUIRES USE OF 2 - SIZE M2 SCREWS FOR FASTENING TO PRINTED CIRCUIT BOARD.
 - REFLOW SOLDER CAPABLE TO 260°C PER TYCO SPEC 109-201, CONDITION B.

W/	GOLD FLASH	1-1734451-3
	30µ"	1-1734451-2
	15µ"	1-1734451-1
W/O	30µ"	1734451-2
	15µ"	1734451-1
MYLAR	MIN. GOLD THICKNESS	PART NUMBER

TOLERANCES UNLESS OTHERWISE SPECIFIED: 0 PLC ± 1 PLC ±0.2 2 PLC ±0.12 3 PLC ±0.05 ANGLES ±2'	DWN	O. HU	TYCO HOLDINGS (BERMUDA) VII LTD. TAIWAN BRANCH	
		15-JUN-2006		
MATERIAL	CHK	S. HOU	NAME PIN HEADER SLIM TYPE, 50 POS, TOP BOARD, COMPACT FLASH CARD	
		15-JUN-2006		
SEE NOTE	APVD	W.J. KE	PRODUCT SPEC 108-57134	
		15-JUN-2006		
FINISH	APPLICATION SPEC		LOC SIZE DRAWING NO REV DW A ₃ C-1734451 B	
	WEIGHT			
			SCALE	SHEET
			--	1 OF 2

B	CHANGE PACKAGE QTY'S	ECR-06-014402	OH SH	16JUN 2006
A	ADD P/N 1-, -3	ECR-06-007650	OH SH	31MAR 2006
O	FIRST RELEASED	FZ00-0120-04	OH SH	11JUN 2004
LTR	REVISION RECORD	ECN	DWN CHK	DATE

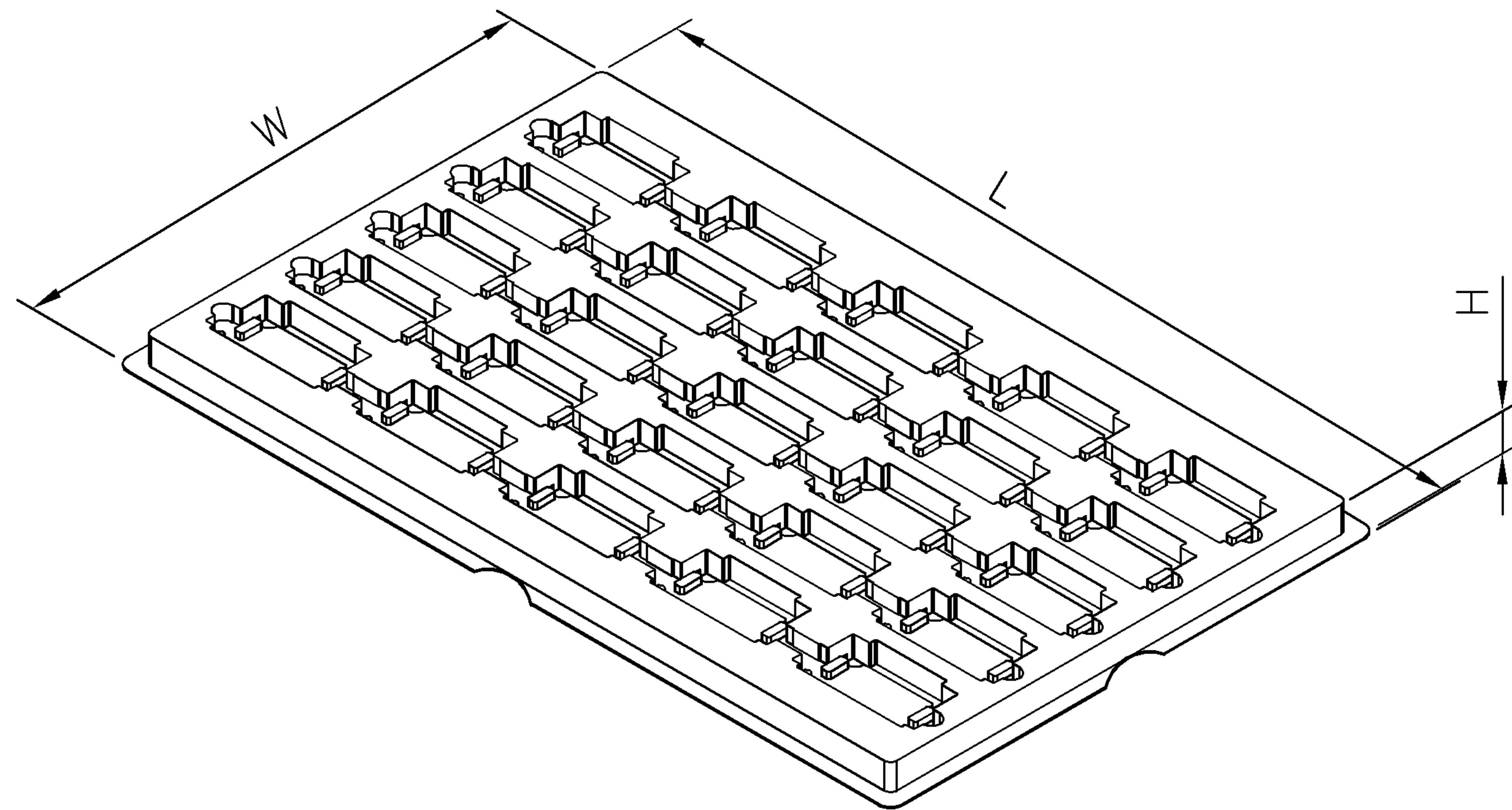
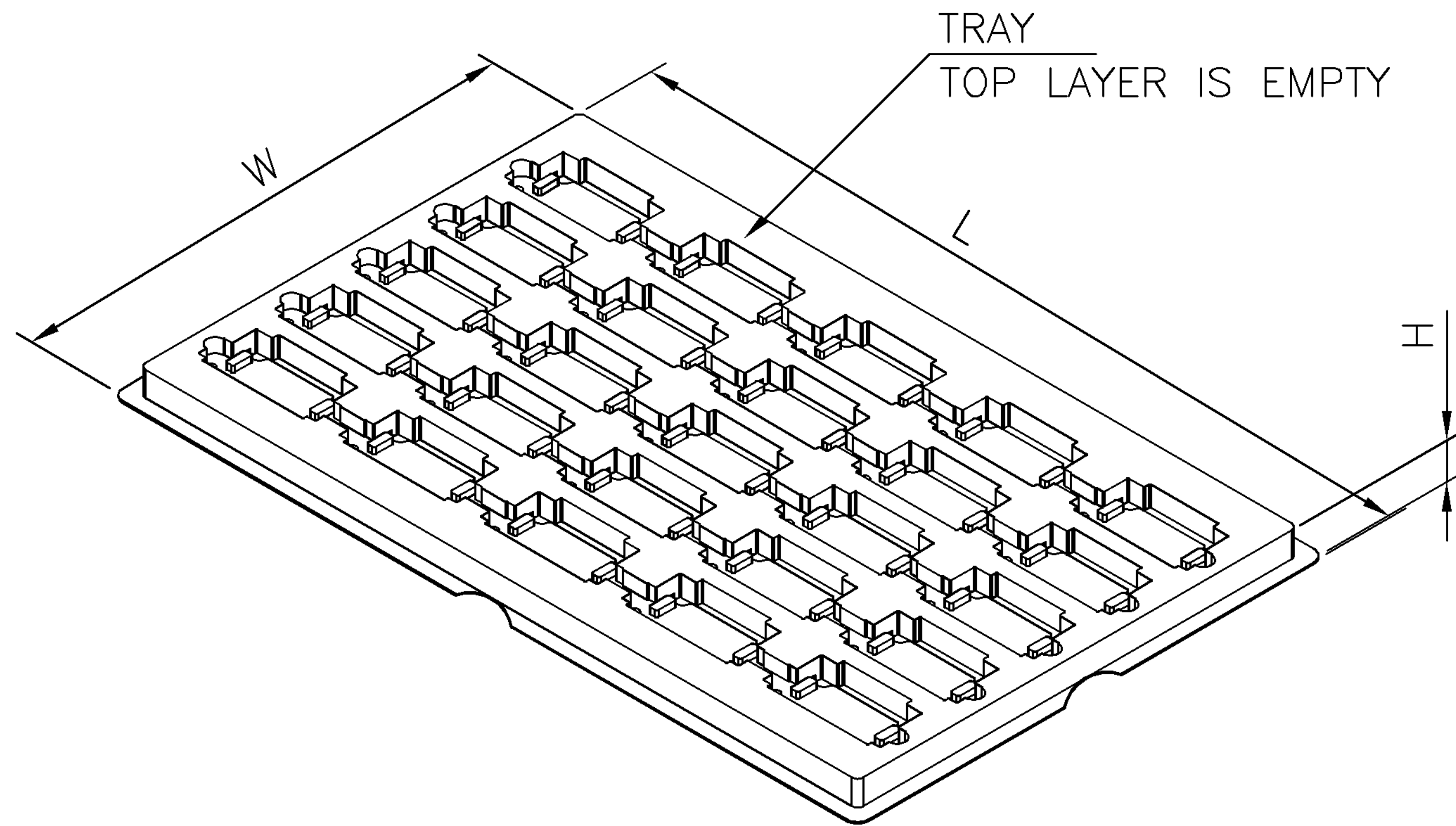
NUMBER
C-1734451



METRIC

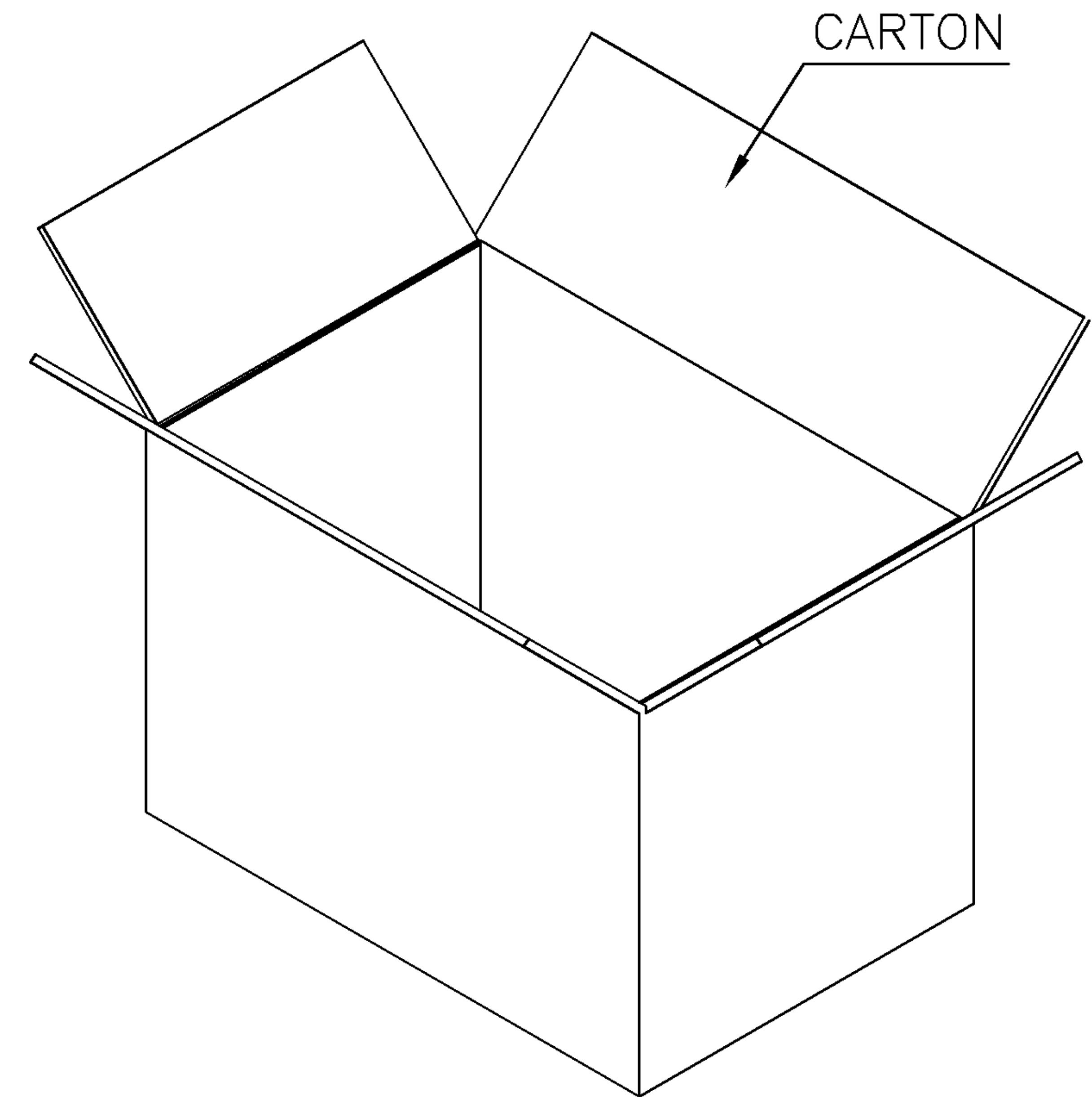
THIS INFORMATION IS CONFIDENTIAL AND IS DISCLOSED TO YOU ON CONDITION THAT NO FURTHER DISCLOSURE IS MADE BY YOU TO OTHER THAN AMP PERSONNEL WITHOUT WRITTEN AUTHORIZATION FROM AMP (TAIWAN) LTD. DIMENSIONS IN MILLIMETERS. DO NOT SCALE PRINT.

PRINT
DW



NOTES:

1. TRAY: PS.
SHIPPING CARTON: CORRUGATED FIBERBOARD
2. DIMENSION :
TRAY : L=346mm X W=215mm X H=7.5mm
SHIPPING CARTON : L=356mm, W=241mm, H=292mm
3. QUANTITY :
25 PCS/TRAY
40 TRAYS/SHIPPING CARTON (1,000PCS)
4. WEIGHT:
NET WEIGHT : 5.0 Kg
GROSS WEIGHT : 6.0 Kg



	SEE SHEET 1.			
LTR	REVISION RECORD	ECN	DWN CHK	DATE

TOLERANCES UNLESS OTHERWISE SPECIFIED: 0 PLC ± 1 PLC ± 2 PLC ± 3 PLC ± ANGLES ±		DWN O. HU 15-JUN-2006	TYCO HOLDINGS (BERMUDA) VII LTD. TAIWAN BRANCH	
MATERIAL TRAY: PS.		CHK S. HOU 15-JUN-2006	NAME PIN HEADER SLIM TYPE, 50 POS, TOP BOARD, COMPACT FLASH CARD	
FINISH -		APVD W.J. KE 15-JUN-2006	LOC DW	REV B
		PRODUCT SPEC	SIZE A ₃	DRAWING NO C-1734451
		APPLICATION SPEC	SCALE --	SHEET 2 OF 2
		WEIGHT		

8 7 6 5 4 3 2 1 CUSTOMER DRAWING