

# LIN interface module

for iPC-I XC16/PCI and iPC-I XC16/PCIe

---



# LIN Module

The IXXAT LIN module for the PC/CAN interfaces iPC-I XC16/PCI and iPC-I XC16/PCIe is a feature. The following figure shows the LIN module.

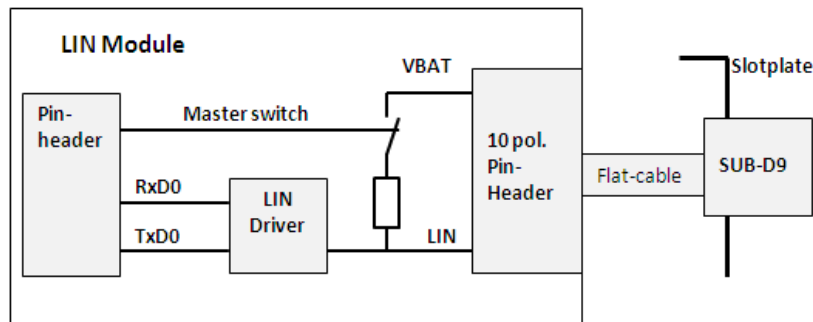


Figure 1.1: LIN Module

The pin assignment of the SUB-D9 connector is shown in the following figure.

SUB-D9 Pin no.	Signal
1	LIN
2	-
3	GND
4	-
5	-
6	-
7	-
8	-
9	12 V VBAT input

Figure 1.2: Pin assignment of the SUB-D9 connector

## Technical data:

LIN driver:	TJA1020T
Voltage on VBAT input:	8 to 18 V DC
Current on VBAT input:	max. 36 mA

## **IXXAT**

### **Headquarter**

IXXAT Automation GmbH  
Leibnizstr. 15  
D-88250 Weingarten

Tel.: +49 (0)7 51 / 5 61 46-0  
Fax: +49 (0)7 51 / 5 61 46-29  
Internet: [www.ixxat.de](http://www.ixxat.de)  
e-Mail: [info@ixxat.de](mailto:info@ixxat.de)

### **US Sales Office**

IXXAT Inc.  
120 Bedford Center Road  
USA-Bedford, NH 03110

Phone: +1-603-471-0800  
Fax: +1-603-471-0880  
Internet: [www.ixxat.com](http://www.ixxat.com)  
e-Mail: [sales@ixxat.com](mailto:sales@ixxat.com)

## **Support**

In case of unsolvable problems with this product or other IXXAT products please contact IXXAT in written form by:

Fax: +49 (0)7 51 / 5 61 46-29  
e-Mail: [support@ixxat.de](mailto:support@ixxat.de)

## **Copyright**

Duplication (copying, printing, microfilm or other forms) and the electronic distribution of this document is only allowed with explicit permission of IXXAT Automation GmbH. IXXAT Automation GmbH reserves the right to change technical data without prior announcement. The general business conditions and the regulations of the license agreement do apply. All rights are reserved.

Document number: 4.01.0047.20001  
Version: 1.0